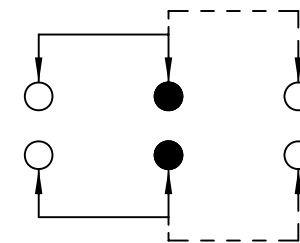
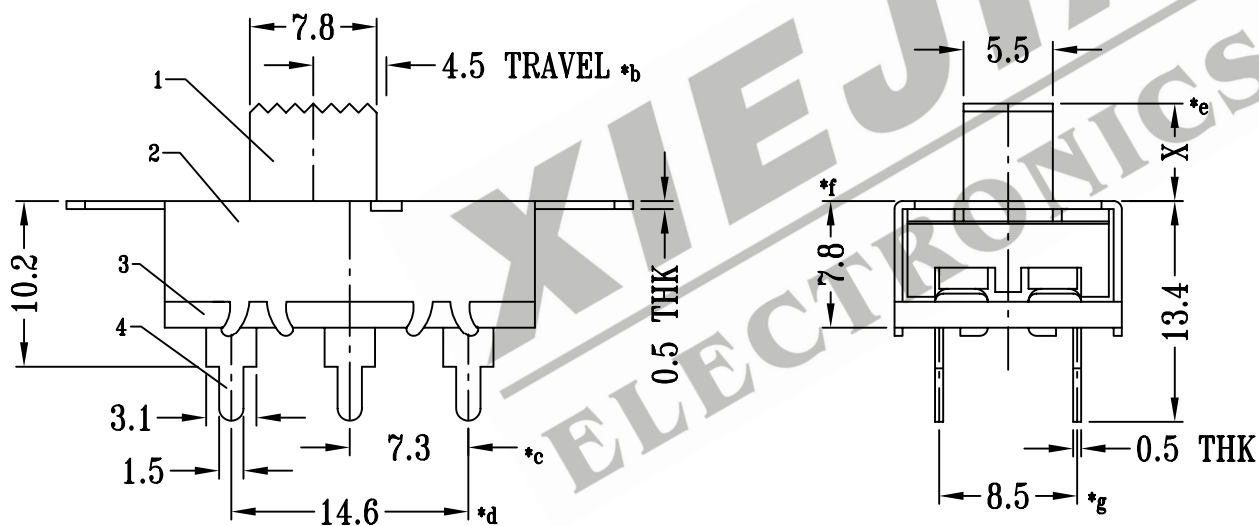
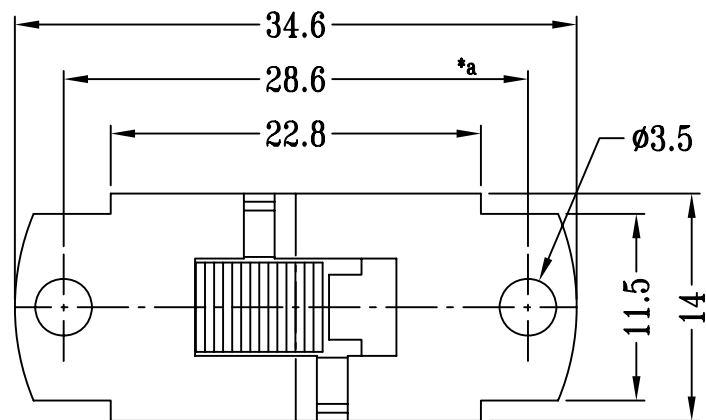
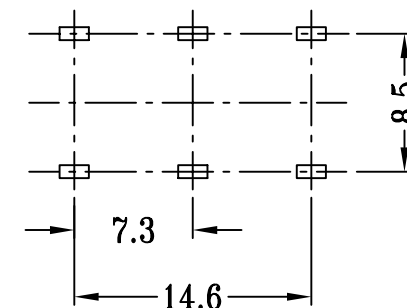


CAD FILE:



**SCHMATIC (NON-SHORTING)**



**P.C.B LAYOUT**

注:带"\*"表示关键尺寸(7个)

NO.	PART NAME	MATERIAL	QTY	FINISHING	TOLERANCE UNLESS SPECIFIED	SHENZHEN XIEJIA ELECTRONICS CO.,LTD.					
8						ISSUE		DATE		DESCRIPTIONS	APPD
7	SPRING PLATE	PBS STRIP	1	NATURAL	WITHIN: 1.5±0.1mm OVER : 1.5±0.2mm						
6	SPRING PLATE	PBS STRIP	2	NATURAL							
5	CONTACT CLIP	COPPER STRIP	2	Ag PLATED							
4	TERMINAL	COPPER STRIP	6	Ag PLATED OVER Ni PLATED							
3	TERMINAL BASE	PHENOLIC RESIN	1	BLACK	TITLE: VERTICAL SLIDE SWITCH	UNIT : MM		DRWG NO.: XJ-DR-SS22103-00			
2	FRAME	STEEL STRIP	1	Zn PLATED	MODEL: SS-22103	SCALE: 2:1		DWN	ZHOUYU	2004-10-27	
1	KNOB	PC	1	BLACK				CHK'D	FANGYING	2004-10-27	
					ALL MATERIALS MUST BE COMPLIANT TO ROHS			APPD	KANGXINAN	2004-10-27	